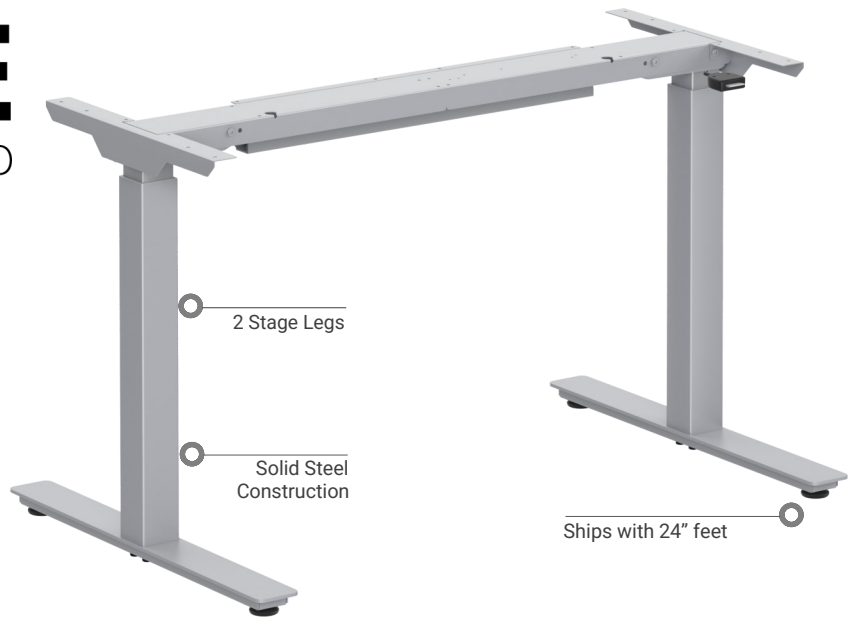


PLTEAB4872E2S2M

2 Stage + Dual Motor



Modern, ergonomic table base. Storlie Furniture Group electric height adjustable desks are an ideal choice for any environment. Perfect for multi-user applications or single unit offices. Remote control height adjustment helps reduce muscle strain and body fatigue; ultimately promoting a healthier and more productive work environment.

Features & Materials

- Up/Down Control
- Lowest height (with top): 28"
- Highest height (with top): 45"
- Weight capacity: 175 lbs.
- Electric height adjustment controls
- Width range of table top: 48"-72"
- Features anti-collision protection
- Adjustable glides
- Use with tops sizes 48" - 72" wide

Available in black or silver



PLTEAB4872E2S2M-BLACK
PLTEAB4872E2S2M-SILVER



Shown above with aspen finish. PLT tops sold separately.

PLTEAB4872E2S2M

